


PRODUCT SHEET

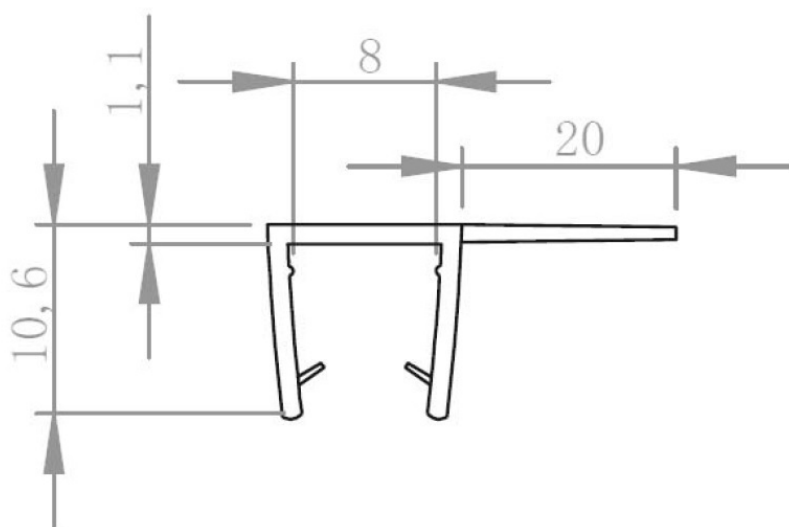
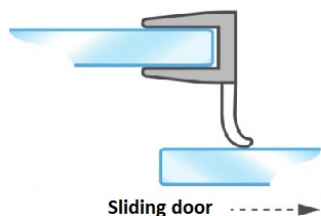
Description:

PVC Seal Glass To Glass, S-5700, 2,5 Mtr, F/8mm Glass, W/20 Soft Fin

Item number:

15.22.252-0

Units	Box	Carton	HS Code	Barcode
Pcs.	10	80	3925901000	
				5704866483988



SISO A/S

Mileparken 11
DK-2740 Skovlunde
Denmark
VAT: DK 24786013

Phone +45 45 830 900

www.siso.dk
siso@siso.dk

Danske Bank
Nytorv Branch
Copenhagen
SWIFT: DABADKKK

Account no.
4180 3112 112936
IBAN Account
DK7230003112112936